

4

3



2

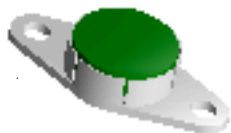
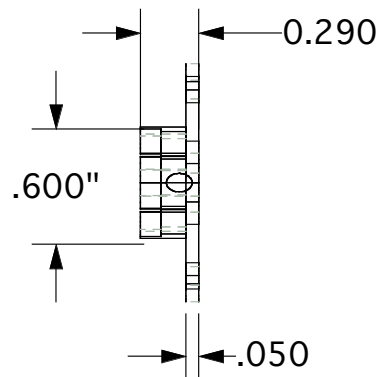
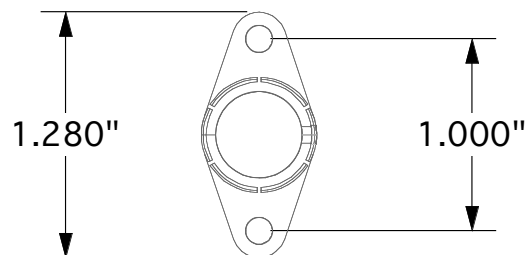
1

REVISIONS

APPROVED

# BLUE LINE ENGINEERING

## Sensor Body Dimensions - DDS Printed Circuit Head



All dimensions given in inches.

416 STAINLESS STEEL



D

C

B

A

